

## SMA Male Right Angle for 1/4 in FSJ1-50A cable



### Product Classification

<b>Brand</b>	HELIAX®
<b>Product Type</b>	Wireless and radiating connector

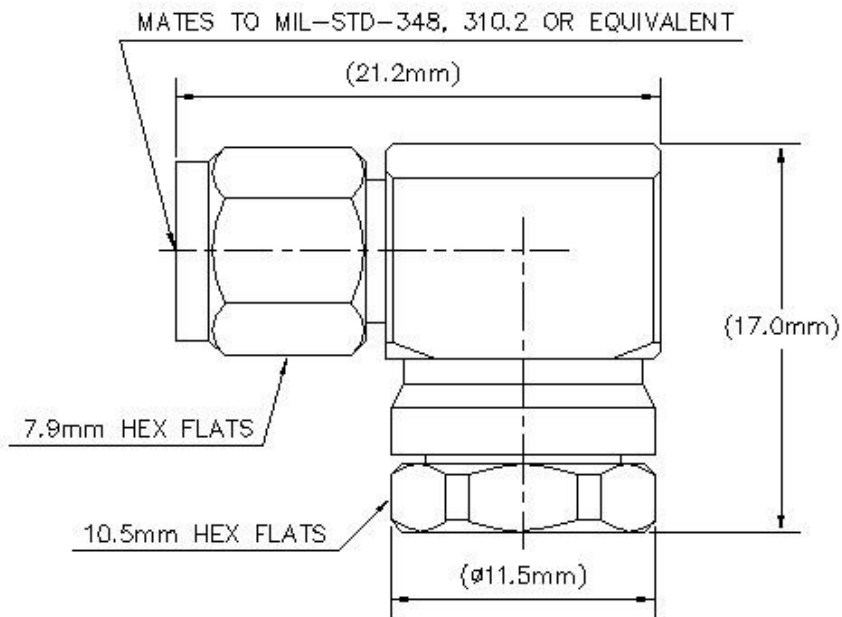
### General Specifications

<b>Interface</b>	SMA Male
<b>Body Style</b>	Right angle
<b>Mounting Angle</b>	Right angle

### Electrical Specifications

<b>Connector Impedance</b>	50 ohm
<b>Operating Frequency Band</b>	0 – 12000 MHz
<b>Cable Impedance</b>	50 ohm
<b>RF Operating Voltage, maximum (vrms)</b>	500.00 V
<b>dc Test Voltage</b>	1000 V
<b>Outer Contact Resistance, maximum</b>	2.50 mOhm
<b>Inner Contact Resistance, maximum</b>	3.00 mOhm
<b>Insulation Resistance, minimum</b>	5000 MOhm
<b>Average Power</b>	0.4 kW @ 900 MHz
<b>Peak Power, maximum</b>	5.00 kW

## Outline Drawing



## Mechanical Specifications

<b>Outer Contact Attachment Method</b>	Tab-flare
<b>Inner Contact Attachment Method</b>	Solder
<b>Outer Contact Plating</b>	Trimetal
<b>Inner Contact Plating</b>	Gold
<b>Interface Durability</b>	500 cycles
<b>Interface Durability Method</b>	IEC 61169-1:9.5
<b>Connector Retention Tensile Force</b>	450 N   101 lbf
<b>Coupling Nut Proof Torque</b>	1.70 N-m   1.25 ft lb
<b>Coupling Nut Proof Torque Method</b>	IEC 61169-1:9.3.6
<b>Coupling Nut Retention Force</b>	180.00 N   40.47 lbf
<b>Coupling Nut Retention Force Method</b>	IEC 61169-1:9.3.11

## Dimensions

<b>Nominal Size</b>	1/4 in
<b>Diameter</b>	11.50 mm   0.45 in
<b>Height</b>	11.50 mm   0.45 in
<b>Length</b>	21.15 mm   0.83 in
<b>Right Angle Length</b>	16.95 mm   0.67 in

<b>Weight</b>	12.08 g   0.03 lb
<b>Width</b>	16.95 mm   0.67 in

## Environmental Specifications

<b>Operating Temperature</b>	-55 °C to +85 °C (-67 °F to +185 °F)
<b>Storage Temperature</b>	-65 °C to +125 °C (-85 °F to +257 °F)
<b>Moisture Resistance Test Method</b>	IEC 60068-2-3
<b>Mechanical Shock Test Method</b>	IEC 60068-2-27
<b>Thermal Shock Test Method</b>	IEC 60068-2-14
<b>Vibration Test Method</b>	IEC 60068-2-6
<b>Corrosion Test Method</b>	IEC 60068-2-11

## Standard Conditions

<b>Attenuation, Ambient Temperature</b>	20 °C   68 °F
<b>Average Power, Ambient Temperature</b>	40 °C   104 °F
<b>Average Power, Inner Conductor Temperature</b>	100 °C   212 °F

## Return Loss/VSWR

Frequency Band	VSWR	Return Loss (dB)
45–2700 MHz	1.07	29.42
2700–4000 MHz	1.12	24.94
4000–6000 MHz	1.20	20.83
6000–8000 MHz	1.25	19.08
8000–10000 MHz	1.40	15.56
10000–12000 MHz	1.50	13.98

## Regulatory Compliance/Certifications

Agency	Classification
RoHS 2011/65/EU	Compliant by Exemption
ISO 9001:2015	Designed, manufactured and/or distributed under this quality management system
China RoHS SJ/T 11364-2014	Above Maximum Concentration Value (MCV)

